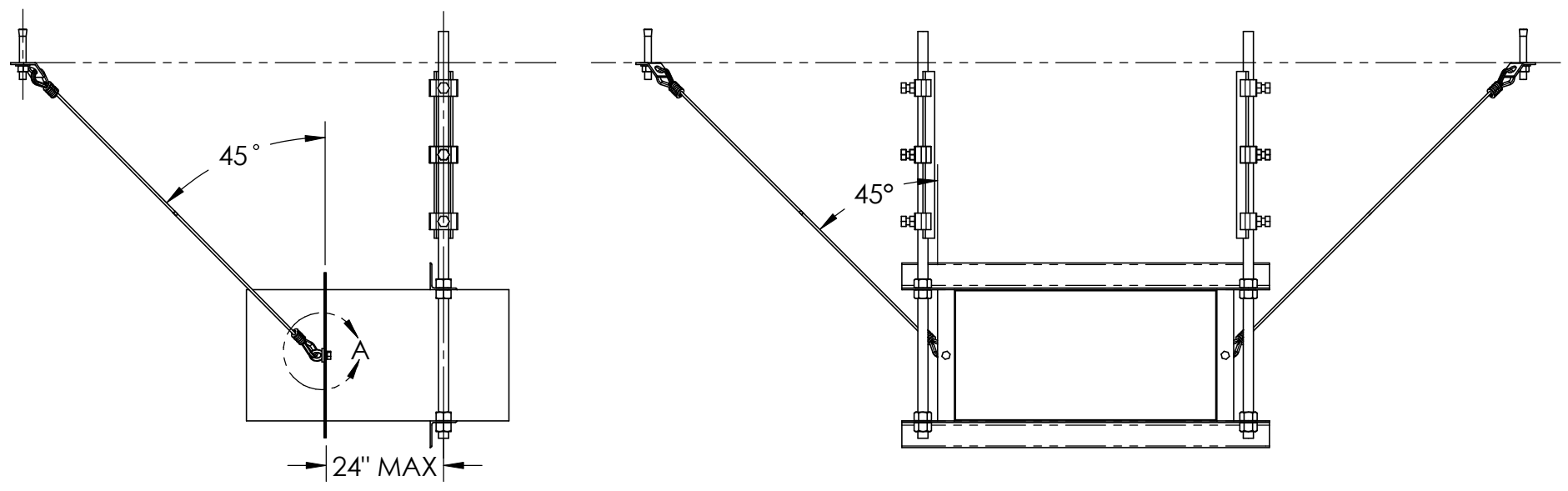


D

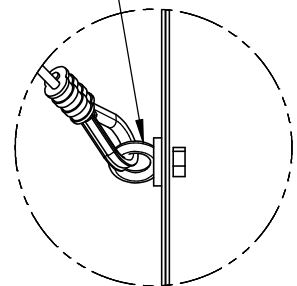
C

B

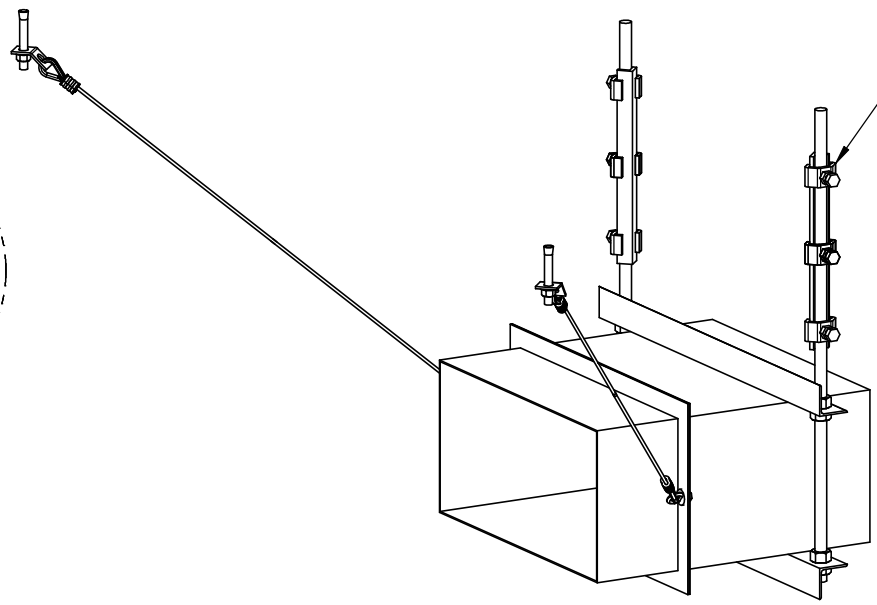
A



EYE BOLT



DETAIL A
SCALE 1 : 4



ROD STIFFENER &
CLIPS
WHEN REQUIRED

HANGER RODS, STRAPS, AND
EYE BOLTS BY OTHERS

RECTANGULAR DUCTWORK RESTRAINT LONGTUDINAL & TRANSVERSE, ONE WAY			Vibro-Acoustics®	
DRAWN BY: J PU	SCALE: NTS		DRAWING NO.: D-052	REV 0
CHECKED BY:	DATE -			

5

4

3

2

1