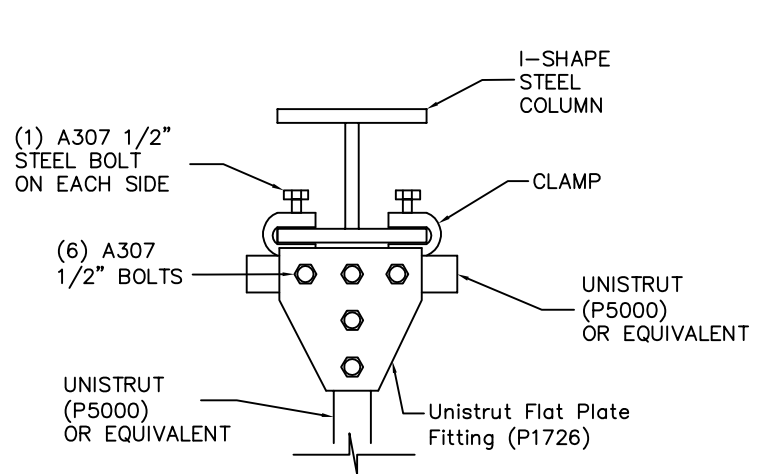


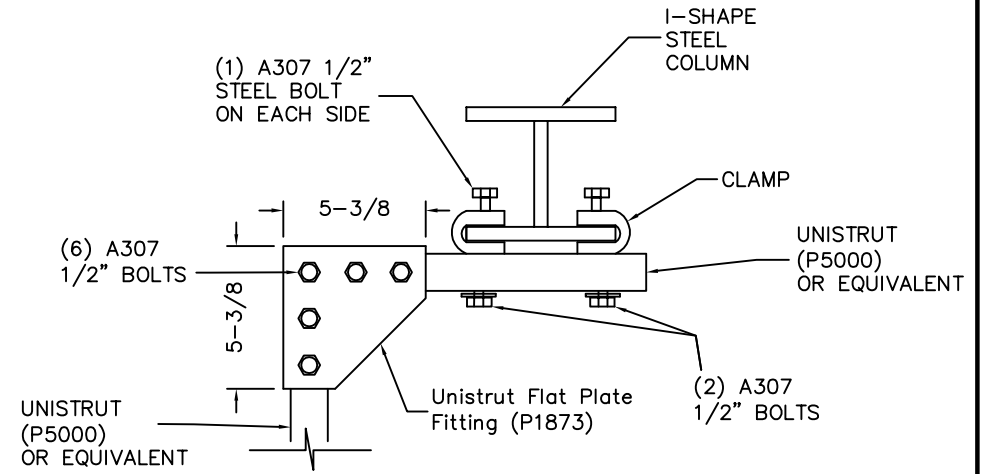
NOTES:

- (1). THIS IS A REFERENCE DESIGN OF RIGID SEISMIC SUPPORTS FOR DUCT. ALL MATERIALS AND ANCHOR BOLTS BY OTHERS.
- (2). CUSTOMER TO DETERMINE THE SIZE OF THE SUPPORTS TO ENSURE THAT DUCTS ARE PROPERLY SECURED.
- (3). APPLY THIS RESTRAINT DESIGN AT LOCATION 1 TO 7 ON DRAWING VA-MP-1-DUCT AND AT LOCATION 1 ON DRAWING VA-MP-2-DUCT.
- (4). ALL DIMENSIONS IN INCHES.

OVERALL ELEVATION VIEW



**CONNECTION TO COLUMN CASE (2)
PLAN VIEW**



**CONNECTION TO COLUMN CASE (1)
PLAN VIEW**

PROJECT: Genentech Inc.		Rigid Seismic Support For Duct		Vibro-Acoustics®
CUSTOMER: Allied Technologies		DRAWN BY: LL	SCALE: NTS	
CONSULTANT: Kerr Greulich & Associates		CHECKED BY:	DATE: Jul 08/10	DRAWING NO.: 101188-407
PROJECT NO.: 101188	PROJECT MANAGER: Val Cadar			REVISION NO.: 0