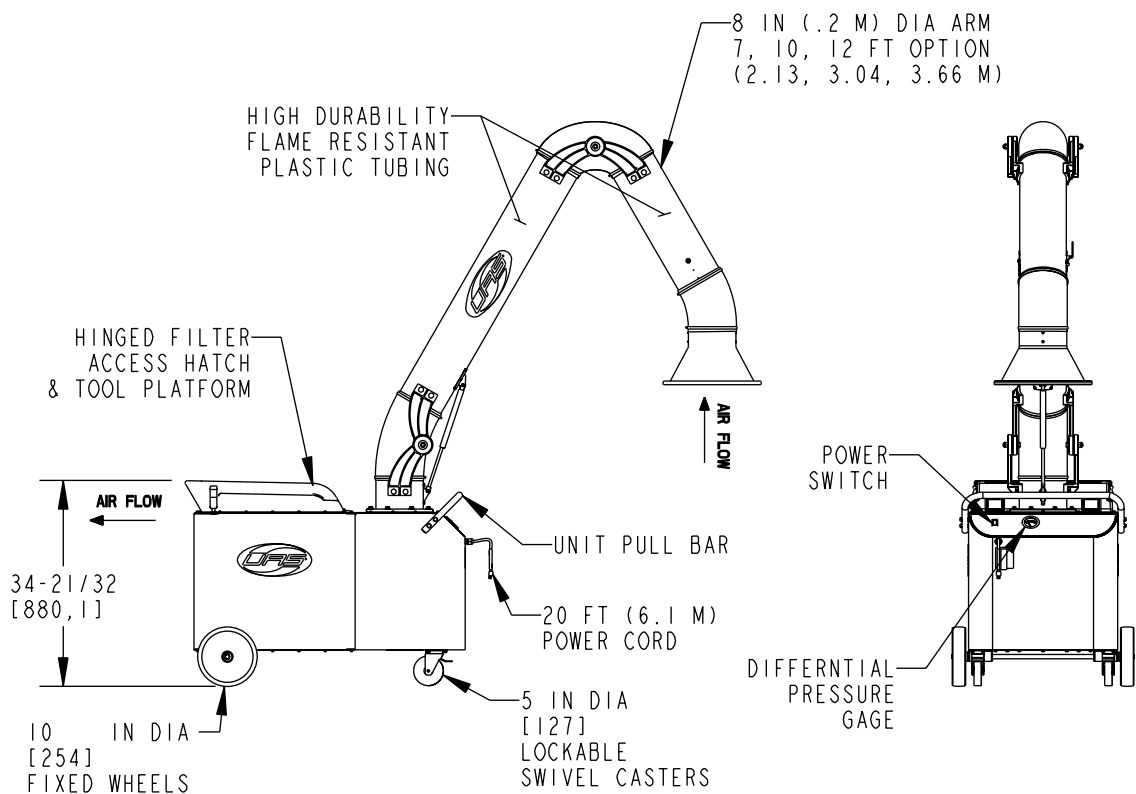
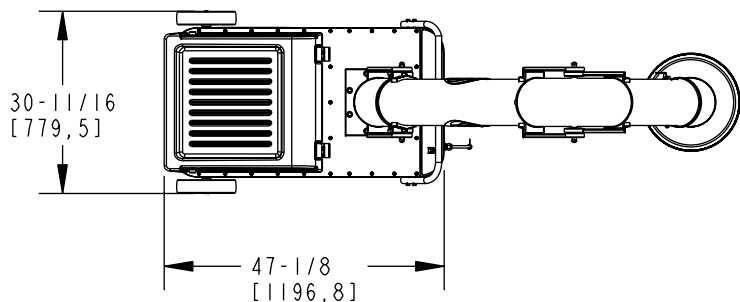


CONFIDENTIAL: THIS DOCUMENT CONTAINS INFORMATION WHICH IS PROPRIETARY TO UAS, AND SHOULD BE PROTECTED ACCORDINGLY.

THIS DRAWING IS NOT TO BE SCALED. FOR ADDITIONAL INFORMATION, PLEASE CONTACT OUR ENGINEERING DEPT.

REVISIONS				
LTR	ECN	DESCRIPTION	DATE	APPROVED
-	-	INITIAL RELEASE - ER3061	1/20/10	WDF

NOMINAL AIRFLOW: 875 CFM (1,486 M³/HR)
 FILTER MEDIA: 490 FT² (45.5 M²) PROTURA NANOFIBER MEDIA (MERV 15)
 POWER REQUIREMENTS: 115VAC/1PH/60HZ; 11.9 AMPS
 MOTOR SPECIFICATIONS: 1HP
 UNIT WEIGHT: 238 LB (108 KG)
 SWING ARM WEIGHT: 57 LB (26 KG)
 SOUND LEVEL: 71 dBA @ 5 FT (1.5 M)
 CABINET CONSTRUCTION: 10/16 GA STEEL
 FINISH: PHOSPHATIZED & BAKED GREY POLYURETHANE PAINT
 FINISH INSIDE AND OUT, 500 HR SALT SPRAY TEST
 AGENCY LISTINGS: UL 507, CSA 22.2 No. 113-08
 UNIT OPTIONS: HOOD SWITCH, LIGHT KIT, ARC SENSOR, HOOD KIT



UNLESS OTHERWISE SPECIFIED:
 DIMENSIONS ARE IN INCHES.
 TOLERANCE:
 FRAC. DEC. ANGLES
 ± N/A ± N/A ± N/A

SIGNATURES	MO-DA-YR
DRAWN: WDF	01/06/10
CHECK: MAG	01/07/10

DESCRIPTION
WP, 875 CFM, 1HP, 115/1/60

SIZE	PART NUMBER	REV
A	44-10517	-
SCALE:	0.031	SHEET 1 of 1

